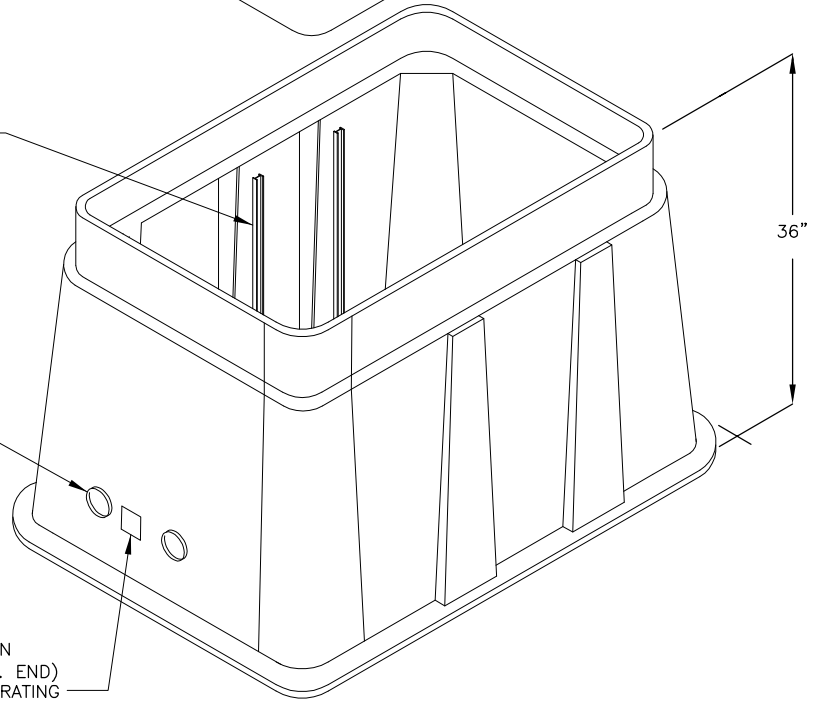


18 HOLE (27" LENGTH)
CABLE RACKS (2 PC. EA. SIDE)
(CENTERED VERTICALLY)

4 3/4" KNOCKOUT
(2 PC. EA. SIDE)
ALIGN WITH PULLING
EYE ASSEMBLY


PULLING EYE ASSEMBLY
(LOCATE 30" DOWN FROM TOP, ON
CENTERLINE OF BOX - 1 PC. EA. END)
2,200 POUND MAXIMUM LOADING RATING



TELECOMMUNICATION HAND HOLE

NOTES:

1. POLYMER 30"x48"x36" RECTANGLE HEAVY DUTY 20K, BELOW GRADE SPLICE BOX WITH PULLING EYE AND SIDE WALL RACKING COMES WITH BOLT-DOWN COVER, LOGO, AND EMS CAST INTO GRAY, RACKING COMES WITH BOLT DOWN COVER LOGO & EMS 2-PIECE COVER WITH NON SKID SURFACE.
2. COORDINATE WITH AT&T, COMCAST, AND CPS REPRESENTATIVE FOR EXACT LOCATION.
3. COVER CAN SUSTAIN 20,000 POUND WHEEL LOAD ON 10"x20" PLATE.

 CHICAGO PUBLIC SCHOOLS CAPITAL IMPROVEMENT PROGRAM INFORMATION TECHNOLOGY SERVICES INFRASTRUCTURE STANDARDS			
TELECOMMUNICATION HAND HOLE			
DESIGNED CPS			SHEET NO. ED.880
DRAWN CPS			
CHECKED CPS	PROJECT NUMBER	SCALE NONE	DATE 10/25/11
1 NO.	10/25/11 DATE	DVS RACK #5 REVISION	VS BY
		APPROVED CPS	